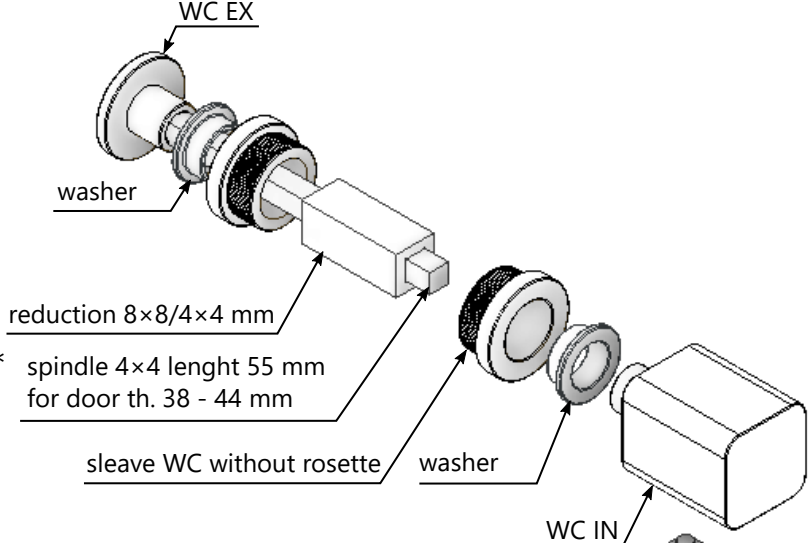
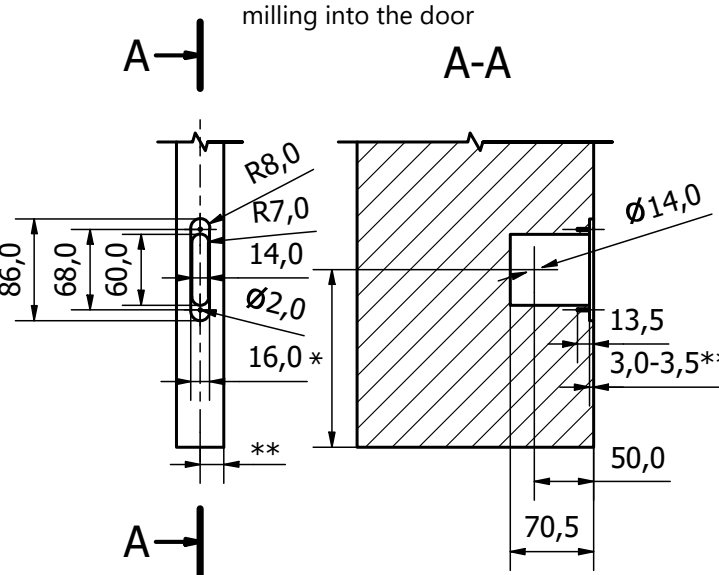
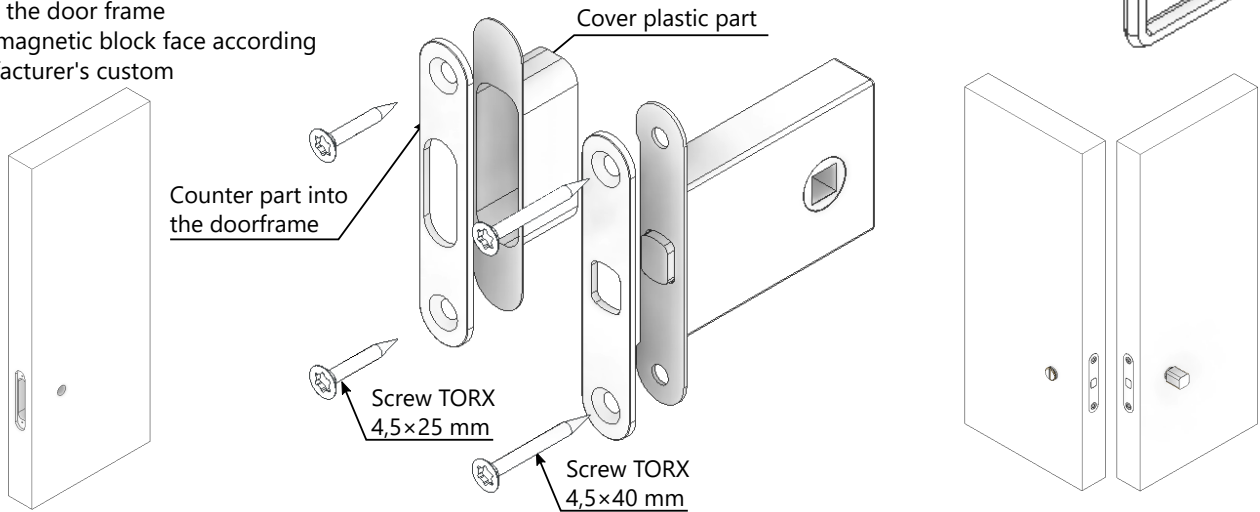




MOUNTING WC SQUARE WITHOUT ROSETTE FOR MAGNETIC LOCK



* according to the door manufacturer's custom
 ** fitting / positioning of the Magnetic block in the door must be solved following the seating of the Magnetic in the door frame
 *** placing of the magnetic block face according to the door manufacturer's custom



component	quantity
WC without rosette IN	1 pc
WC without rosette EX	1 pc
sleeve WC without rosette	2 pc
washer teflon	2 pcs
spindle 4x4 mm	1 pc
reduction 8/4 mm, l. 20 mm	1 pc
set screw M5x6 mm	1 pc
allen key	1 pc
lock WC	1 pc
cover lock plate	1 pc
counter part into the doorframe	1 pc
cover plastic part	1 pc
screw Torx 4,5x25 mm	2 pcs
screw Torx 4,5x40 mm	2 pcs